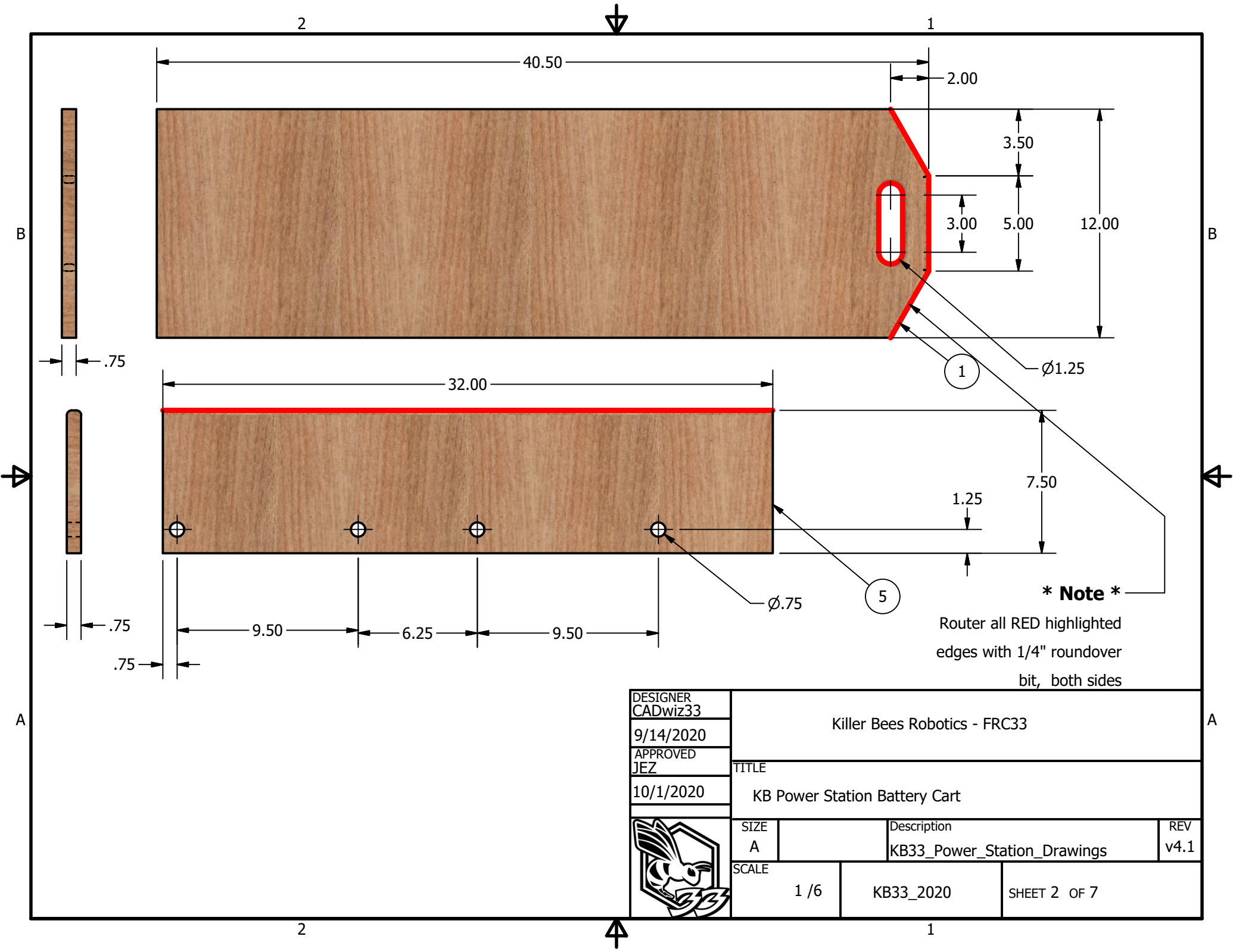


PARTS LIST		
ITEM	QTY	DESCRIPTION
1	1	Power_Station_Back_Plate
2	1	Power_Station_Foot_Plate
3	1	Power_Station_Side_Plate_1
4	1	Power_Station_Side_Plate_2
5	1	Power_Station_Divider_Panel
6	1	Power_Station_Top_Shelf
7	1	Power_Station_Outlet_Strip_Mount
8	1	Power_Station_Spacer_Block
9	1	Power_Station_Lower_Shelf
10	1	Power_Station_Cable_Retainer
11	2	Battery_Spacer_Lower
12	14	Battery_Spacer
13	2	Battery_Spacer_Upper
14	2	Power_Station_Cover_Panel
15	2	Power_Station_Axle_Block
16	2	Power_Station_Skid_Block
17	1	Battery_Cart_Axle 8927K96
18	2	AM-2026 Dual Pro Charger
19	2	Colson Wheel 8" x 1.5" 2829t423
20	2	PUSH NUT CAPS 94803A050
21	1	Metal_Power_Strip PB801120
22	4	Slider_Disc Shepherd 9453
23	1	TIE-DOWN RING 3076T340
24	8	10-24 x 1.5" FLAT-HEAD SCREW 91253A251
25	8	10-24 NYLON-INSERT LOCKNUT 90631A011

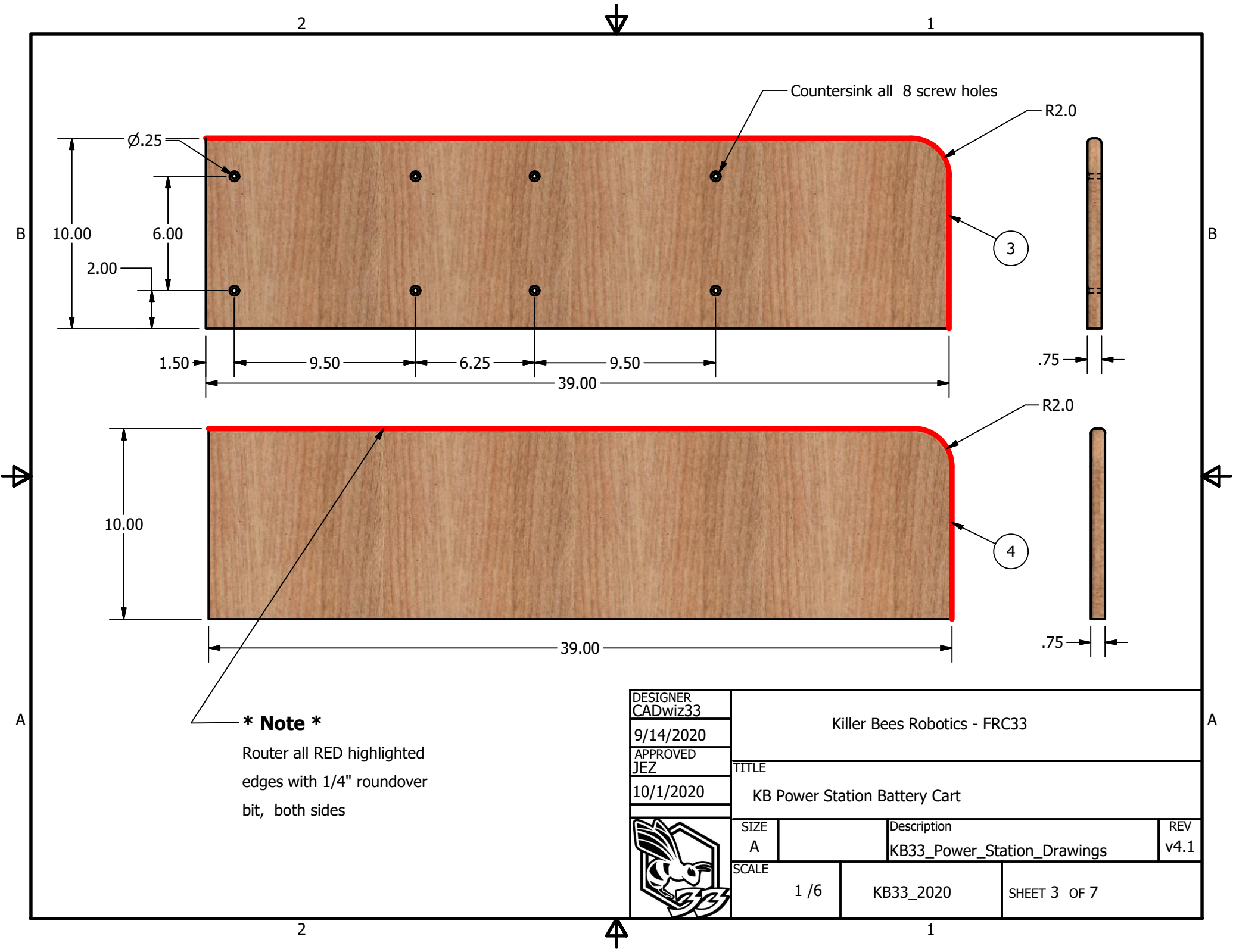
DESIGNER  
 CADwiz33  
 9/14/2020  
 APPROVED  
 JEZ  
 10/1/2020



Killer Bees Robotics - FRC33		
TITLE KB Power Station Battery Cart		
SIZE A	Description KB33_Power_Station_Drawings	REV v4.1
SCALE 0.07 : 1	KB33_2020	SHEET 1 OF 7



DESIGNER CADwiz33	Killer Bees Robotics - FRC33		
9/14/2020			
APPROVED JEZ	TITLE		
10/1/2020	KB Power Station Battery Cart		
	SIZE A	Description KB33_Power_Station_Drawings	REV v4.1
	SCALE 1 / 6	KB33_2020	SHEET 2 OF 7



Countersink all 8 screw holes

R2.0

Ø.25

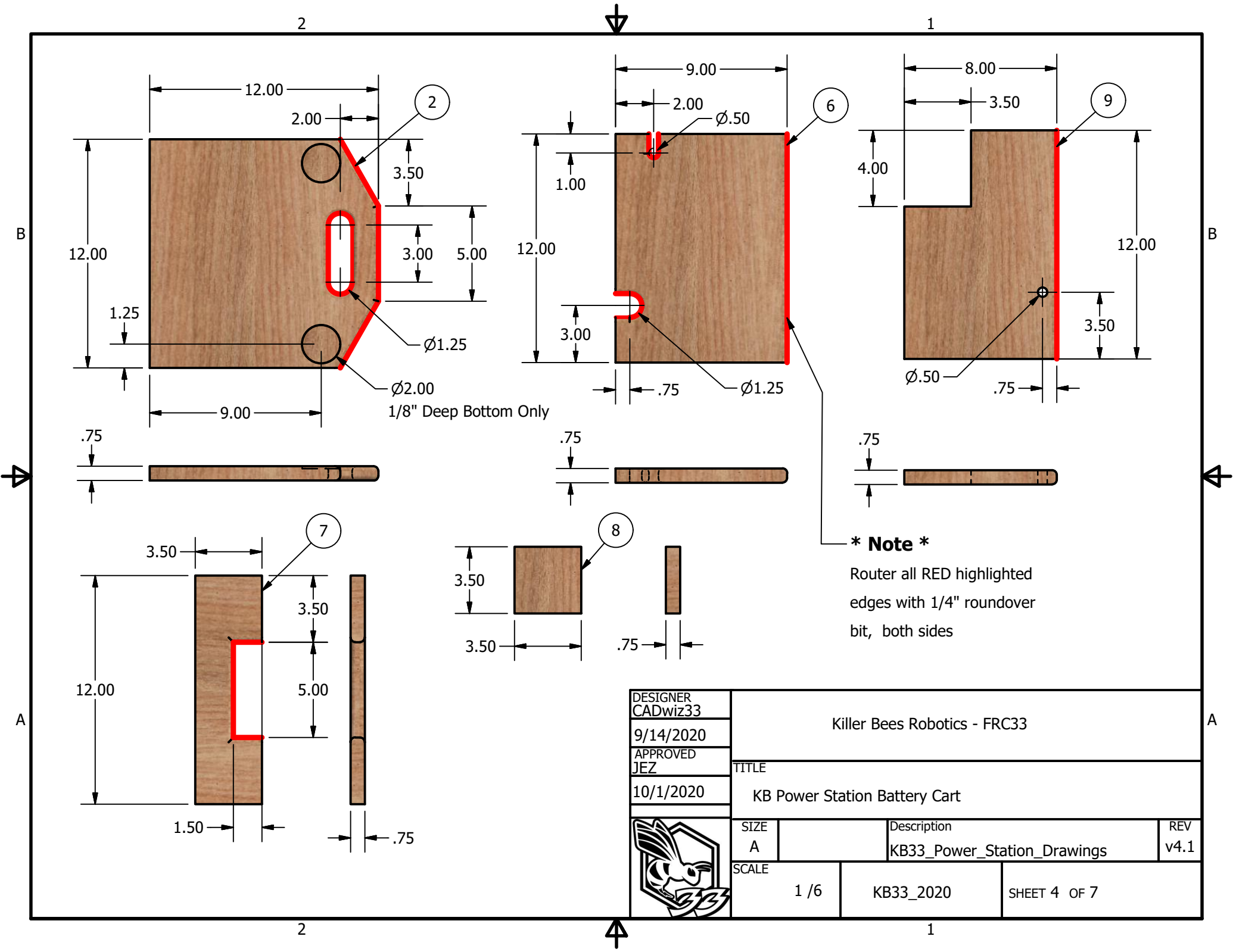
3


4

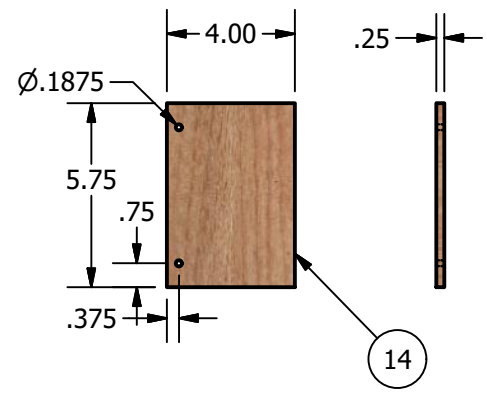
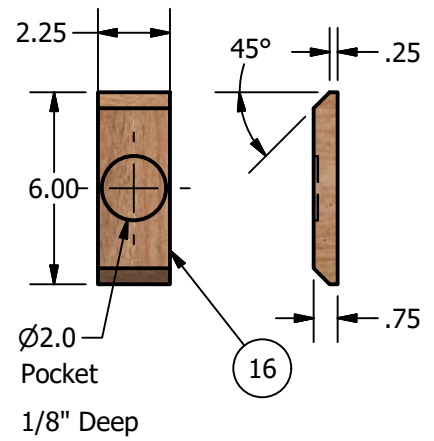
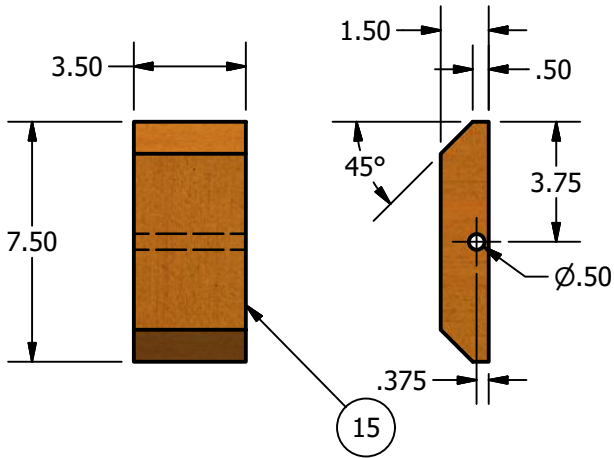
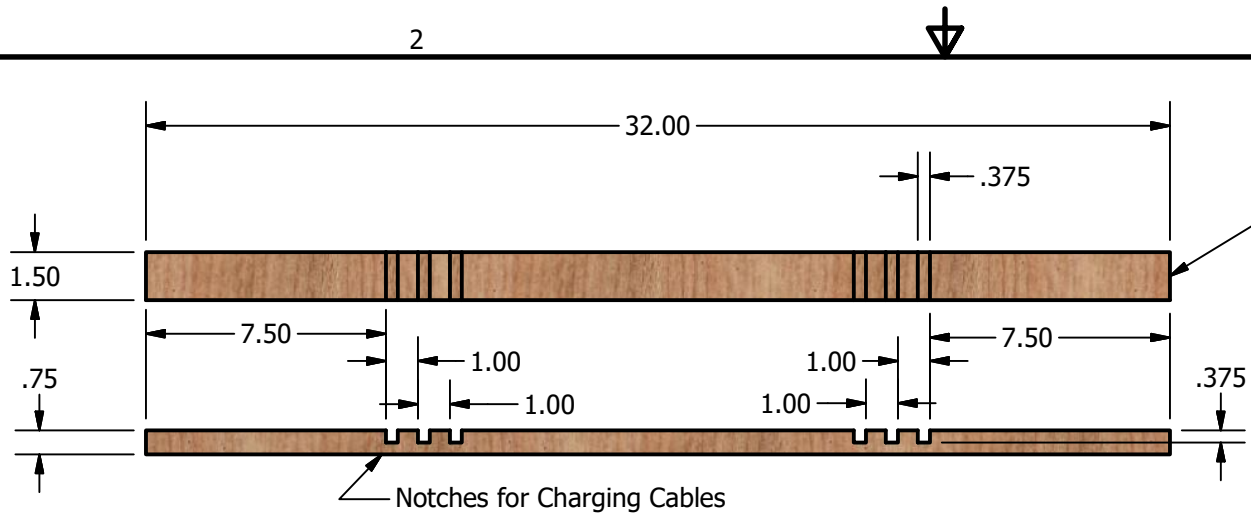
R2.0


**\* Note \***  
Router all RED highlighted edges with 1/4" roundover bit, both sides

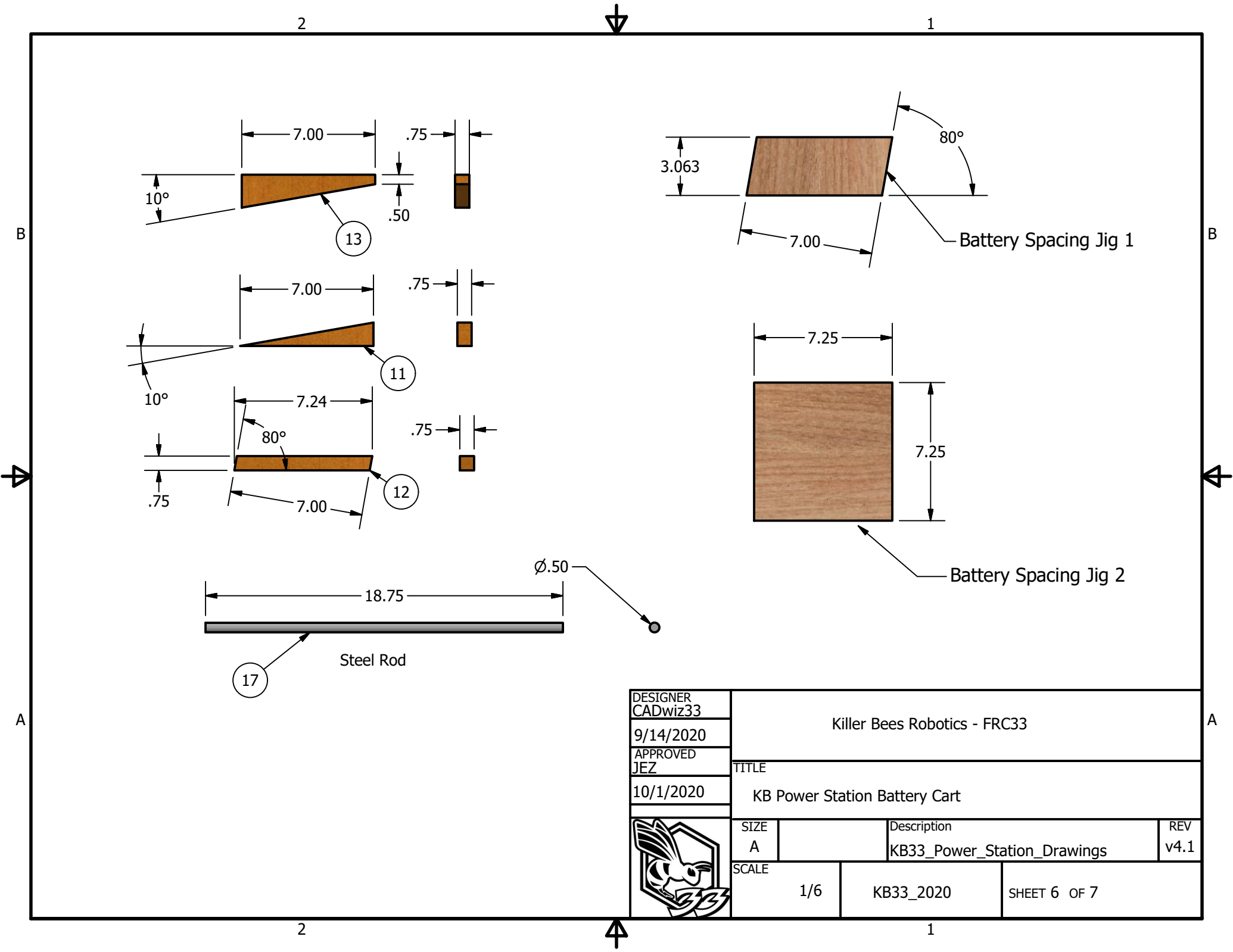
DESIGNER CADwiz33		Killer Bees Robotics - FRC33	
9/14/2020			
APPROVED JEZ		TITLE	
10/1/2020		KB Power Station Battery Cart	
SIZE A	Description KB33_Power_Station_Drawings		REV v4.1
SCALE 1 / 6	KB33_2020	SHEET 3 OF 7	




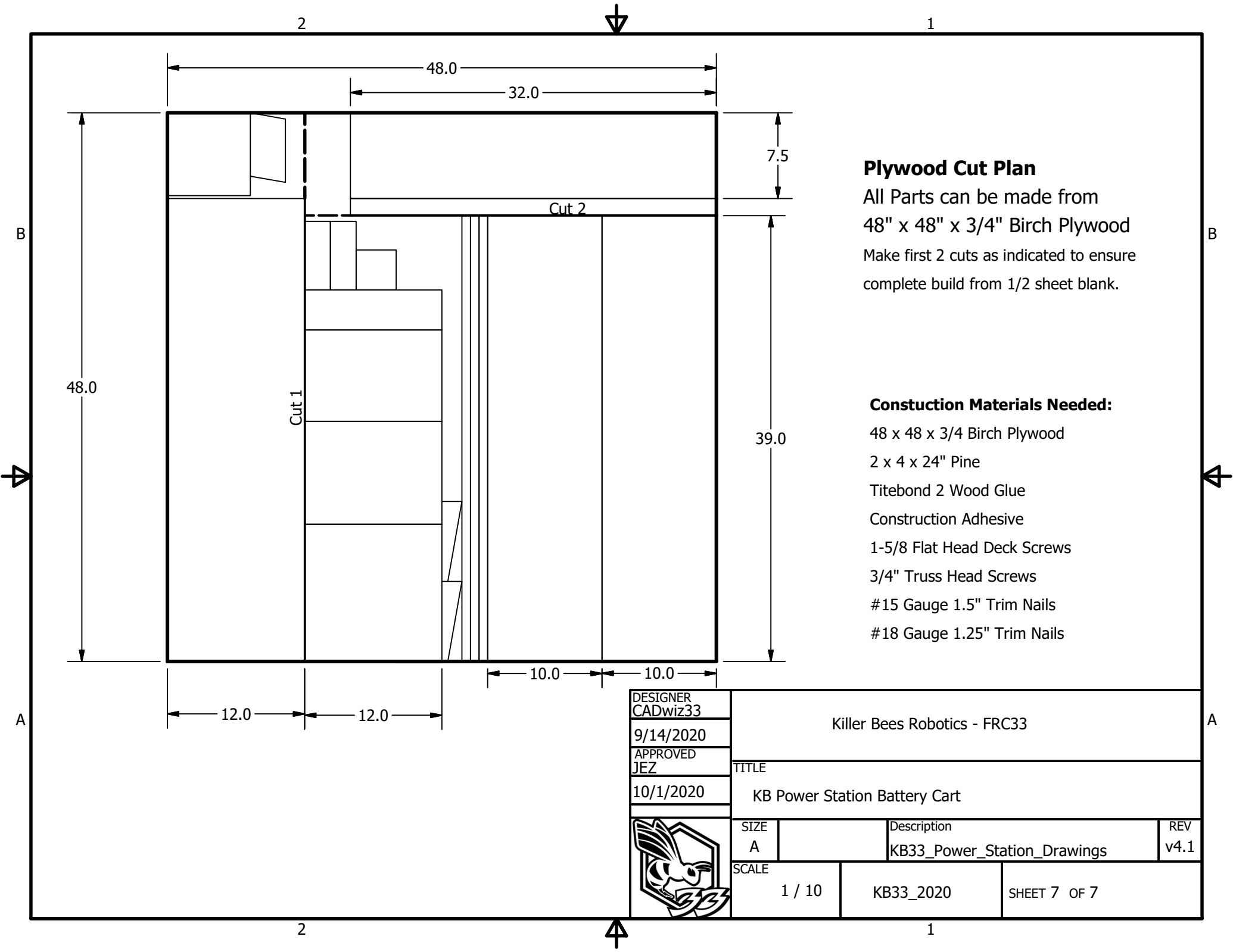
DESIGNER CADwiz33	Killer Bees Robotics - FRC33		
9/14/2020	TITLE		
APPROVED JEZ	KB Power Station Battery Cart		
10/1/2020	SIZE A	Description KB33_Power_Station_Drawings	REV v4.1
	SCALE 1 / 6	KB33_2020	SHEET 4 OF 7



DESIGNER CADwiz33	Killer Bees Robotics - FRC33		
9/14/2020	TITLE		
APPROVED JEZ	KB Power Station Battery Cart		
10/1/2020	SIZE A	Description KB33_Power_Station_Drawings	REV v4.1
	SCALE 1 / 6	KB33_2020	SHEET 5 OF 7



DESIGNER CADwiz33	Killer Bees Robotics - FRC33		
9/14/2020			
APPROVED JEZ	TITLE		
10/1/2020	KB Power Station Battery Cart		
	SIZE A	Description KB33_Power_Station_Drawings	REV v4.1
	SCALE 1/6	KB33_2020	SHEET 6 OF 7



**Plywood Cut Plan**

All Parts can be made from  
 48" x 48" x 3/4" Birch Plywood  
 Make first 2 cuts as indicated to ensure  
 complete build from 1/2 sheet blank.

**Constuction Materials Needed:**

- 48 x 48 x 3/4 Birch Plywood
- 2 x 4 x 24" Pine
- Titebond 2 Wood Glue
- Construction Adhesive
- 1-5/8 Flat Head Deck Screws
- 3/4" Truss Head Screws
- #15 Gauge 1.5" Trim Nails
- #18 Gauge 1.25" Trim Nails

DESIGNER CADwiz33		Killer Bees Robotics - FRC33	
9/14/2020			
APPROVED JEZ		TITLE	
10/1/2020		KB Power Station Battery Cart	
SIZE A	Description	REV	
	KB33_Power_Station_Drawings	v4.1	
SCALE	1 / 10	KB33_2020	SHEET 7 OF 7

